

*...you'll never drive alone*

[www.j4europe.com](http://www.j4europe.com)



MAN

suitable for

**QTC**® QUALITY  
TRUCK  
COMPONENTS

EDITION 2024

**TGX 2013**  
**TGS 2013**  
**TGX 2007 - 2012**  
**TGS 2007 - 2012**  
**TGA XL-XXL**  
**TGA M-L-LX**  
**F2000**  
**TGL**  
**LE2000**

page 3  
page 6  
page 9  
page 11  
page 12  
page 18  
page 23  
page 28  
page 29





**M6X/200**



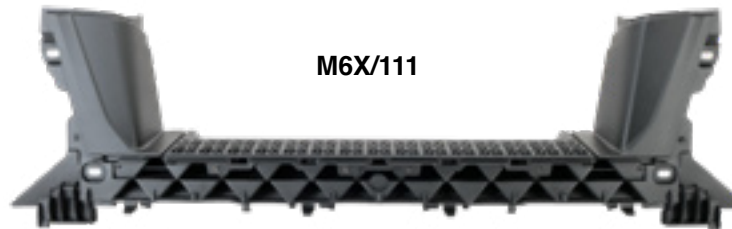
**M6X/232 RH**



**M6X/233 LH**



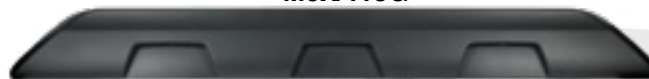
**M6X/111**



**M6X/115**



**M6X/115G**



SUITABLE FOR **MAN TGX 2013**

**M6X/108 RH**



**M6X/109 LH**



**M6X/106 RH**



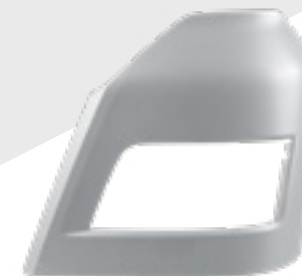
**M6X/106G RH**



**M6X/107G LH**



**M6X/107 LH**



**MTX/708 RH  
MTX/708M RH**



**MTX/709 LH  
MTX/709M LH**



**M6X/102 RH**



**M6X/102G RH**



**M6X/103G LH**



**M6X/103 LH**



**M6X/102B RH**



**M6X/102BG RH**



**M6X/103BG LH**



**M6X/103B LH**

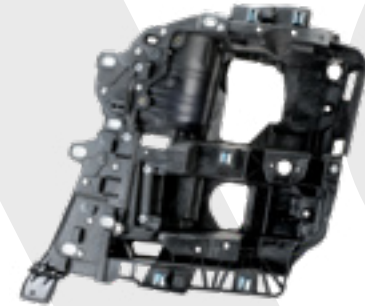


SUITABLE FOR **MAN TGX 2013**

**M6X/108 RH**



**M6X/109 LH**



**M6X/104 RH**



**M6X/104G RH**



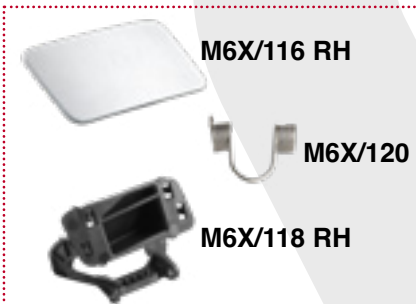
**M6X/105G LH**



**M6X/105 LH**



**M6X/122 KIT**



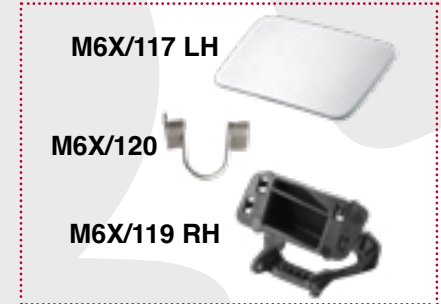
**M6X/122G KIT**



**M6X/123G KIT**



**M6X/123 KIT**





M6S/200



M6S/232 RH



M6S/233 LH



M6S/111



M6S/115



M6S/115G



SUITABLE FOR **MAN TGS 2013**

**M6X/108 RH**



**M6X/109 LH**



**M6S/106 RH**



**M6S/106G RH**



**MTX/708 RH  
MTX/708M RH**



**MTX/709 LH  
MTX/709M LH**



**M6S/107G LH**



**M6S/107 LH**



**M6S/102 RH**



**M6S/102G RH**



**M6S/103G LH**



**M6S/103 LH**



**M6S/102B RH**



**M6S/102BG RH**



**M6S/103BG LH**



**M6S/103B LH**





**M6X/108 RH**



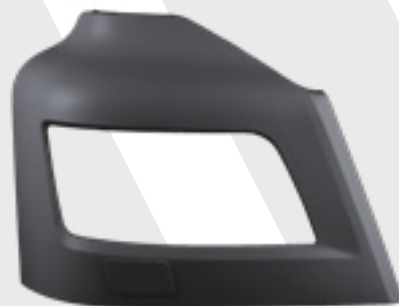
**M6X/109 LH**



**M6S/104 RH**



**M6S/104G RH**



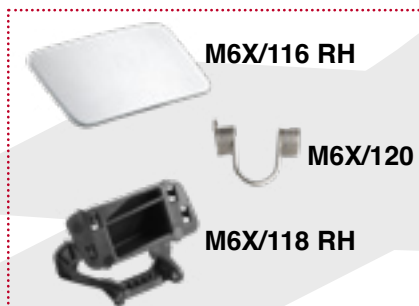
**M6S/105G LH**



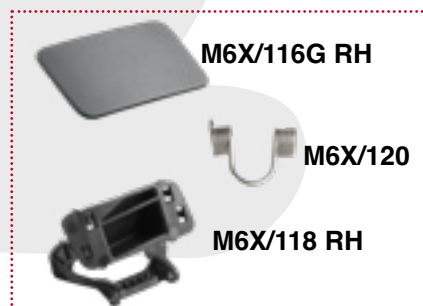
**M6S/105 LH**



**M6X/122 KIT**



**M6X/122G KIT**



**M6X/123G KIT**



**M6X/123 KIT**



SUITABLE FOR **MAN TGX 2007 - 2012**



**MTX/180 GREY  
MTX/180K KIT**



**MTX/710 RH**

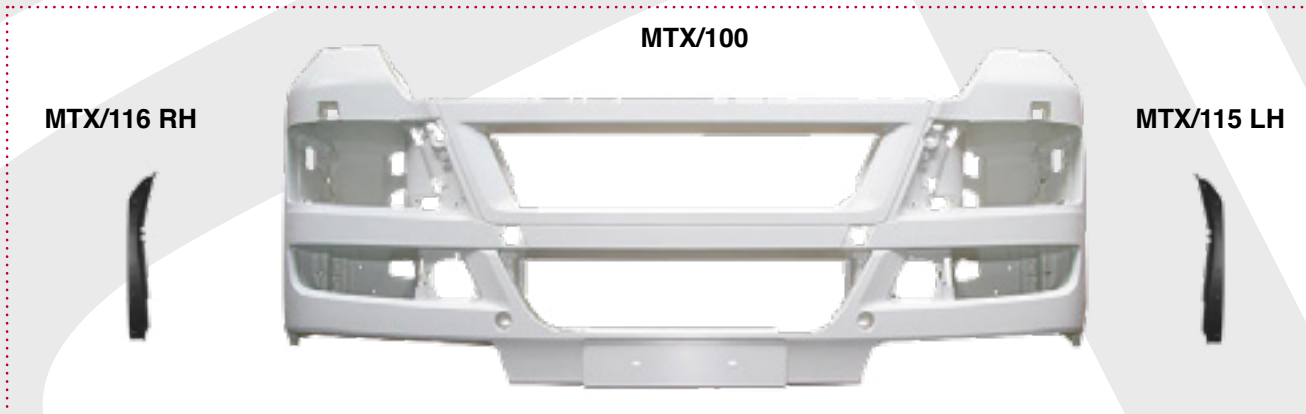


**MTX/711 LH**



**MTX/100K kit**

**MTX/100**



**MTX/116 RH**

**MTX/115 LH**

**MTX/706 RH  
MTX/706X RH (XENON)  
MTX/708 RH  
MTX/708M RH**



**MTX/707 LH  
MTX/707X LH (XENON)  
MTX/709 LH  
MTX/709M LH**



**MTX/722 RH**



**MTX/723 LH**



**MTX/730 RH**



**MTX/731 LH**



**MXX/183**



**MXX/183**



**MTX/182 RH**



**MTX/181 LH**



SUITABLE FOR **MAN TGX 2007 - 2012**



**MXX/374 RH**



**MXX/375 LH**



**MTX/300 RH**



**MTX/301 LH**



**MTX/311 RH - LH**



**MTX/304 RH**



**MTX/305 LH**



**MTX/309 RH - LH**



SUITABLE FOR **MAN TGS 2007 - 2012**



**MTS/350 RH**



**MXX/356**



**MTS/351 LH**



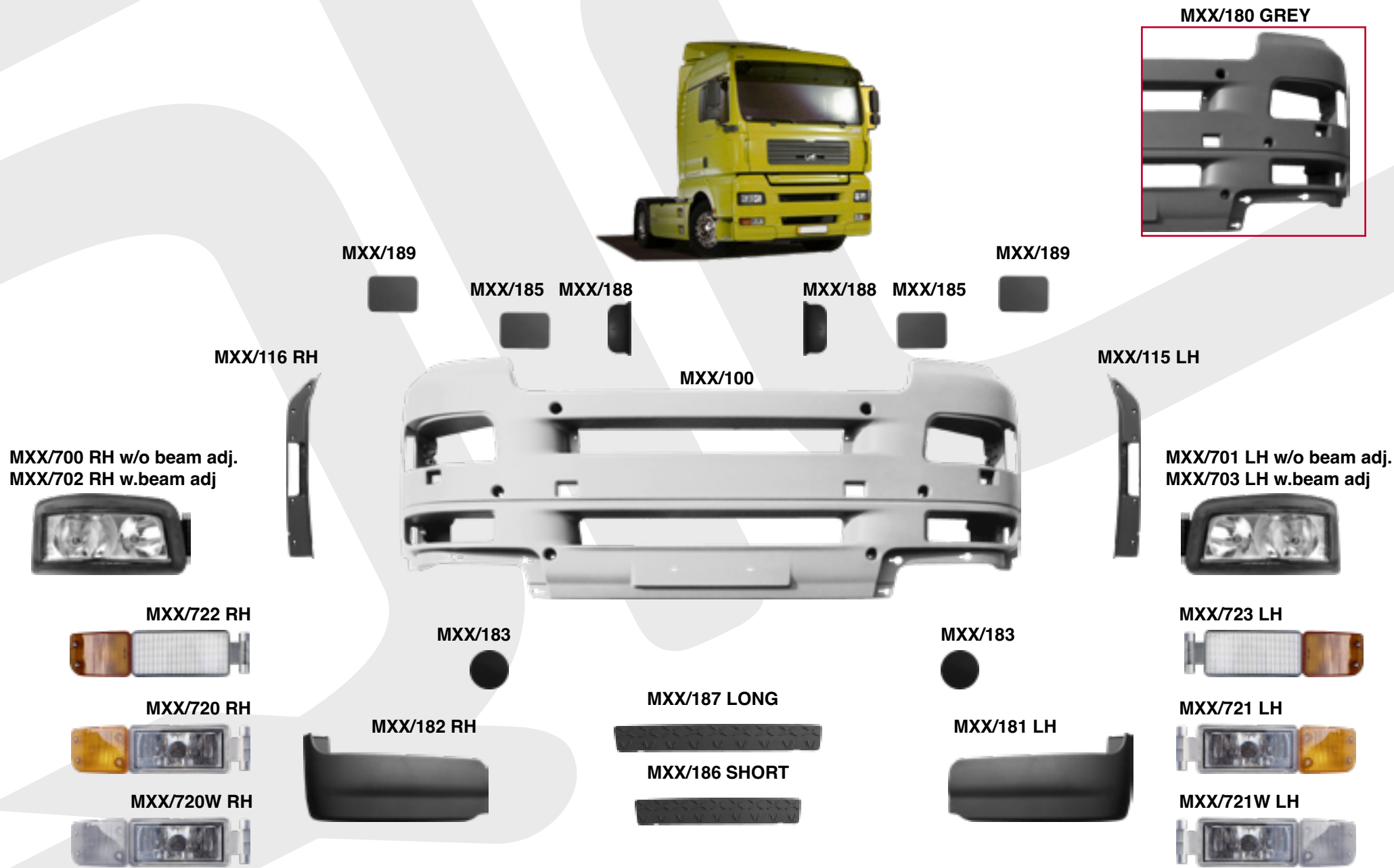
**MTS/182 RH**



**MTS/181 LH**



SUITABLE FOR **MAN TGA XL - XXL 2002 - 2007**



**MXX/180 GREY**

**MXX/189**

**MXX/189**

**MXX/185 MXX/188**

**MXX/188 MXX/185**

**MXX/116 RH**

**MXX/115 LH**

**MXX/100**

**MXX/700 RH w/o beam adj.  
MXX/702 RH w.beam adj**

**MXX/701 LH w/o beam adj.  
MXX/703 LH w.beam adj**

**MXX/722 RH**

**MXX/723 LH**

**MXX/183**

**MXX/183**

**MXX/720 RH**

**MXX/721 LH**

**MXX/182 RH**

**MXX/187 LONG**

**MXX/181 LH**

**MXX/720W RH**

**MXX/721W LH**

**MXX/186 SHORT**

SUITABLE FOR **MAN TGA XL - XXL 2002**



**MXX/260 RH**



**MXX/261 LH**



**MXX/201**



**MXX/262 RH**



**MXX/263 LH**



**MXX/264 RH**



**MXX/265 LH**



**MXX/200**



**MXX/216**



**MXX/217**



**SHINY CHROMED VERSION**

SUITABLE FOR **MAN TGA XL - XXL 2002**



**MXX/302 RH**



**MXX/303 LH**



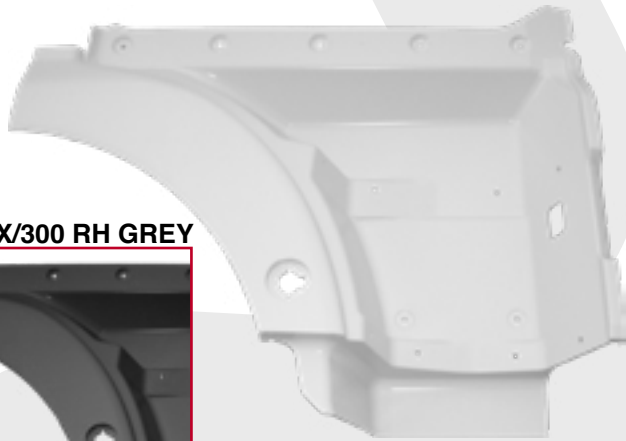
**MXX/306 RH GREY**



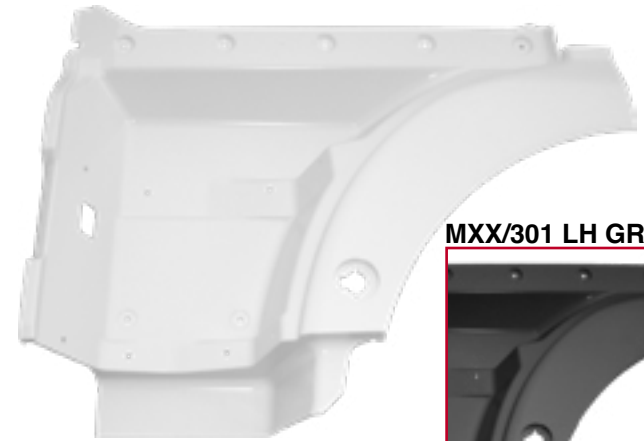
**MXX/307 LH GREY**



**MXX/304 RH**



**MXX/305 LH**



**MXX/300 RH GREY**



**MXX/301 LH GREY**



**MXX/308 RH-LH**



**MXX/309 RH-LH**



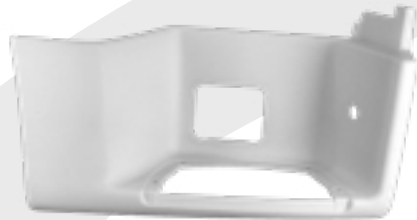
SUITABLE FOR **MAN TGA XL - XXL 2002**



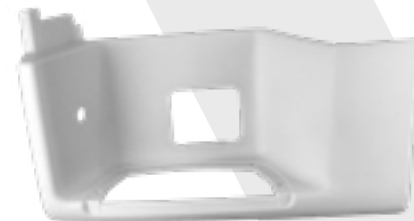
**MXX/355**



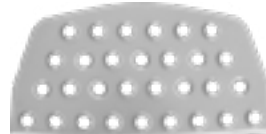
**MXX/350 RH**



**MXX/351 LH**



**MXX/310 RH-LH**



**MXX/352 RH GREY**



**MXX/353 LH GREY**



**MXX/356**





SUITABLE FOR **MAN TGA XL - XXL 2002**

**MXX/370G RH**



**MXX/370 RH**



**MXX/371G LH**



**MXX/371 LH**



**MXX/360 RH-LH**



**MXX/362G RH**



**MXX/362 RH**



**MXX/363 LH**



**MXX/363G LH**



SUITABLE FOR **MAN TGA XL - XXL / TGX / TGS**

**MTX/400**



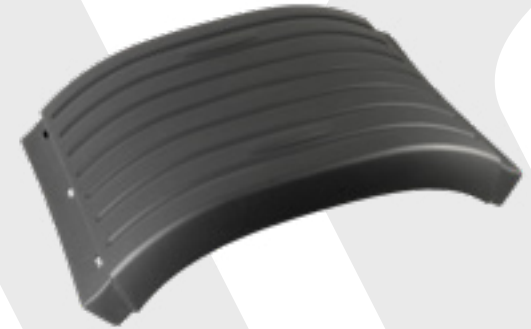
**MTX/415**



**MXX/415**



**MXX/400**



**MTX/400WS WITH TENSIONERS**



**MTX/402 RH - LH \***



**MTX/402 REAR VIEW**



**MXX/400WS WITH TENSIONERS**



**MTX/401 RH - LH \***



**MTX/475**



**MTX/445  
H 95 cm**



**MXX/402 LH-RH FRONT/REAR**



**MXX/403 LH-RH FRONT/REAR**

**\* MTX/475 INCLUDED**

SUITABLE FOR **MAN Yard and quarry**



**MXX/101**



**MXX/102 RH**



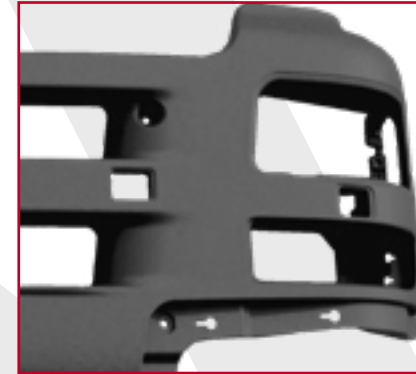
**MXX/103 LH**



SUITABLE FOR **MAN TGA M - L - LX 2002**



**MML/180 GREY**



**MML/100**



**MML/116 RH**



**MML/115 LH**



**MML/182 RH**



**MML/186**



**MML/181 LH**



SUITABLE FOR **MAN TGA M - L - LX 2002**



**MML/352 RH**



**MML/353 LH**



**MML/356**



**MXX/310 RH-LH**



**MML/350 RH**



**MML/351 LH**



**MML/355**



SUITABLE FOR **MAN TGA M - L - LX 2002**



**MML/300 RH**



**MML/301 LH**



**MML/302 RH**



**MML/303 LH**



**MML/304 RH**



**MML/305 LH**



**MXX/309**



**MML/306 RH**



**MML/307 LH**



SUITABLE FOR **MAN TGA M - L - LX 2002**



**MML/322 RH**



**MML/323 LH**



**MML/302 RH**



**MML/303 LH**



**MML/324 RH**



**MML/325 LH**



**MXX/309**



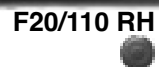
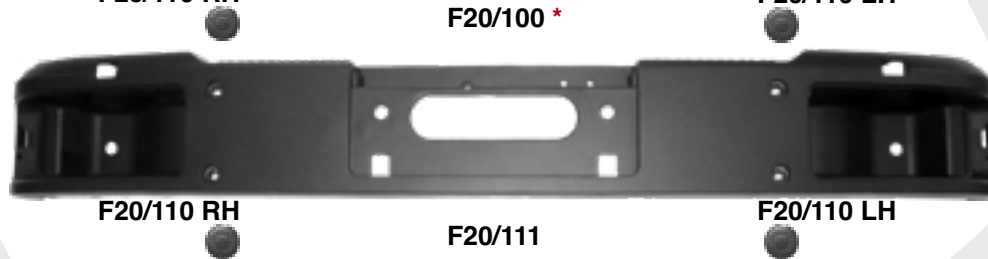
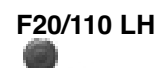
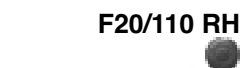
**MML/306 RH**



**MML/307 LH**



SUITABLE FOR **MAN F2000 1994**



\* F20/111 - 112 - 113 - 114 - 115 - 116 INCLUDED



SUITABLE FOR **MAN F2000** 1994



F20/105



F20/130



F20/146 RH

F20/104

F20/147 LH



F20/122 RH

F20/123 LH



F20/142 RH

F20/102

F20/143 LH



SUITABLE FOR **MAN F2000 1994**



F20/378 RH



F20/377 LH



F20/401 RH



F20/305 RH



F20/304 LH



F20/402 LH



F20/300 RH



F20/301 LH



F20/358 RH



F20/351 RH



F20/350 LH



F20/357 LH



F20/364 RH



F20/355 RH



F20/354 LH



F20/363 LH



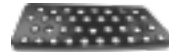
F20/311 RH



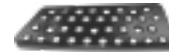
F20/310 LH



F20/312 RH



F20/313 LH



F20/316



F20/317

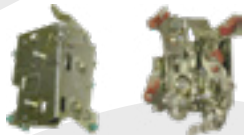


F20/315



SUITABLE FOR **MAN F2000 1994**

F20/386 RH



**BACK AND FRONT VIEW**

F20/382 RH



F20/384 RH-LH



F20/371 RH-LH



set of two outer handles with keys

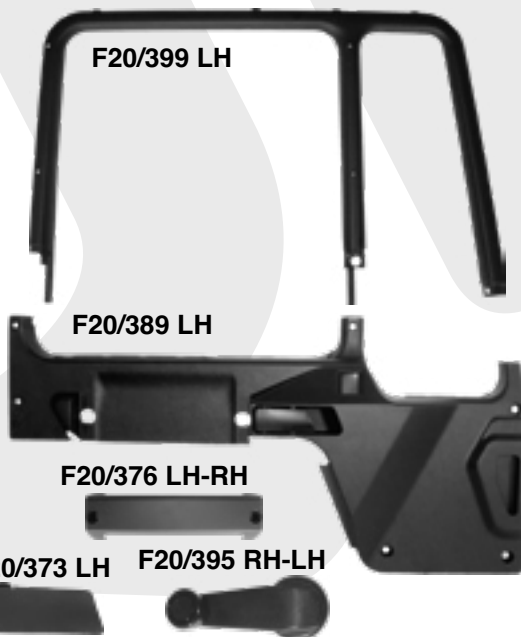
F20/369 LH



F20/381 RH



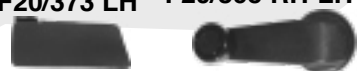
F20/399 LH



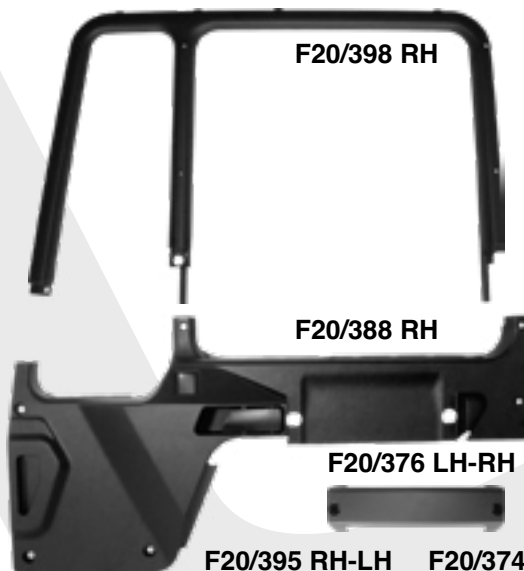
F20/389 LH

F20/376 LH-RH

F20/373 LH F20/395 RH-LH



F20/398 RH



F20/388 RH

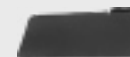
F20/376 LH-RH



F20/395 RH-LH



F20/374 RH



F20/380 LH



F20/368 RH



F20/385 LH



**BACK AND FRONT VIEW**

F20/383 LH



F20/384 RH-LH



SUITABLE FOR **MAN F2000** 1994



F20/262 RH



F20/260 RH



F20/205 RH



F20/500



F20/205 LH



F20/261 LH



F20/263 LH



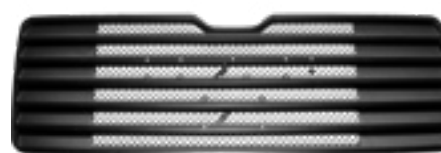
F20/201



F20/CH6



F20/200



F20/CH2



F20/CH3



F20/CH5



SUITABLE FOR **MAN TGL 2005**



**MTL/300 RH**



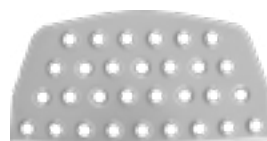
**MTL/301 LH**



**MTL/100**



**MXX/310**



**MML/186**



SUITABLE FOR **MAN LE 2000 1992**



L20/300 RH



L20/301 LH



LE2/180



### MAN TGX 2013

QTC®	OEM	PAG
M6X/102	81416106754	4
M6X/102G	81416106774	4
M6X/102B	81416106756	4
M6X/102BG	81416106776	4
M6X/103	81416106755	4
M6X/103G	81416106775	4
M6X/103B	81416106757	4
M6X/103BG	81416106777	4
M6X/104	81416106752	5
M6X/104G	81416106772	5
M6X/105	81416106753	5
M6X/105G	81416106773	5
M6X/106	81416106750	4
M6X/106G	81416106770	4
M6X/107	81416106751	4
M6X/107G	81416106771	4
M6X/108	81416106760 - 81416106968	4 - 5
M6X/109	81416106759 - 81416106969	4 - 5
M6X/111	81416146011	3
M6X/115	81416140076	3
M6X/115G	81416140080	3
M6X/116	81416100532	5
M6X/116G	81416100532	5
M6X/117	81416100533	5
M6X/117G	81416100533	5
M6X/118	81416100575	5
M6X/119	81416100744	5
M6X/120	81976300196	5
M6X/122		5
M6X/122G		5
M6X/123		5
M6X/123G		5
M6X/200	81416106951	3
M6X/232	81416100714	3
M6X/233	81416100713	3
MTX/708	81251016762	4
MTX/708M	81251016772 - 81251016760	4
MTX/709	81251016763	4
MTX/709M	81251016771 - 81251016759	4

### MAN TGS 2013

QTC®	OEM	PAG
M6S/110	81416146010	6
M6S/102	81416106766	7
M6S/102G	81416106802	7
M6S/102B	81416106768	7
M6S/102BG	81416106804	7
M6S/103	81416106765	7
M6S/103G	81416106803	7
M6S/103B	81416106767	7
M6S/103BG	81416106805	7
M6S/104	81416106764	8
M6S/104G	81416106763	8
M6S/105	81416106800	8
M6S/105G	81416106801	8
M6S/106	81416106762	7
M6S/106G	81416106798	7
M6S/107	81416106761	7
M6S/107G	81416106799	7
M6S/111	81416146012	6
M6S/115	81416140077 - 81416146008	6
M6S/115G	81416140081	6
M6S/200	81416106956	6
M6S/232	81416100716	6
M6S/233	81416100715	6
M6X/108	81416106760	7 - 8
M6X/109	81416106759	7 - 8
M6X/116	81416100532	8
M6X/116G	81416100532	8
M6X/117	81416100533	8
M6X/117G	81416100533	8
M6X/118	81416100575	8
M6X/119	81416100744	8
M6X/120	81976300196	8
MTX/708	81251016762	7
MTX/708M	81251016772 - 81251016760	7
MTX/709	81251016763	7
MTX/709M	81251016771 - 81251016759	7

### MAN TGX

QTC®	OEM	PAG
MTX/100	81416100364	9
MTX/100K	81416100364-81416100369-81416100370	9
MTX/115	81416100369	9
MTX/116	81416100370	9
MTX/180	81416100363	9
MTX/180K	81416100363-81416100369-81416100370	9
MTX/181	81416140025 - 81416140029	9
MTX/182	81416140026 - 81416140030	9
MTX/300	81615100914	10
MTX/301	81615100913	10
MTX/304	81615100916	10
MTX/305	81615100915	10
MTX/309	81615100930	10
MTX/311	81615100929	10
MTX/706	81251016498	9
MTX/706X	81251016516	9
MTX/707	81251016499	9
MTX/707X	81251016515	9
MTX/708	81251016762	9
MTX/708M	81251016772 - 81251016760	9
MTX/709	81251016763	9
MTX/709M	81251016771 - 81251016759	9
MTX/710	81251100084	9
MTX/711	81251100083	9
MTX/722	81251016522	9
MTX/723	81251016521	9
MTX/730	81251100086 - 81251100090	9
MTX/731	81251100085 - 81251100089	9
MXX/183	81416850029	9
MXX/374	81626416080	10
MXX/375	81626416081	10

### MAN TGS

QTC®	OEM	PAG
MTS/181	81416140023	11
MTS/182	81416140024 - 81416140028	11
MTS/350	81615100644 - 81615100980	11
MTS/351	81615100643 - 81615100979	11
MXX/356	81615100536	11

MAN TGA XL-XXL		
QTC®	OEM	PAG
<b>MXX/100</b>	81416100305	12
<b>MXX/115</b>	81416100231	12
<b>MXX/116</b>	81416100232	12
<b>MXX/180</b>	81416100306	12
<b>MXX/181</b>	81416100227	12
<b>MXX/182</b>	81416100228	12
<b>MXX/183</b>	81416850029	12
<b>MXX/185</b>	81416850031 - 81416850056	12
<b>MXX/186</b>	81416102881	12
<b>MXX/187</b>	81416102882	12
<b>MXX/188</b>	81416850041	12
<b>MXX/189</b>	81416850040 - 81416850055	12
<b>MXX/201</b>	81611100053	13
<b>MXX/216</b>	81416850053	13
<b>MXX/217</b>	81416850061	13
<b>MXX/260</b>	81624100046	13
<b>MXX/261</b>	81624100047	13
<b>MXX/262</b>	81624100048	13
<b>MXX/263</b>	81624100049	13
<b>MXX/264</b>	81624400041	13
<b>MXX/265</b>	81624400039	13
<b>MXX/300</b>	81615100400-81615100280-81615100404	14
<b>MXX/301</b>	81615100399-81615100281-81615100403	14
<b>MXX/302</b>	81626100024	14
<b>MXX/303</b>	81626100023	14
<b>MXX/304</b>	81615100402-81615100706	14
<b>MXX/305</b>	81615100401-81615100705	14
<b>MXX/306</b>	81626100018	14
<b>MXX/307</b>	81626100019	14
<b>MXX/308</b>	81615100273	14
<b>MXX/309</b>	81615110001	14
<b>MXX/310</b>	81615105187	15
<b>MXX/350</b>	81615100374 - 81615100752 81615100802 - 81615100978	15
<b>MXX/351</b>	81615100333-81615100751-81615100801	15

MAN TGA XL-XXL		
QTC®	OEM	PAG
<b>MXX/352</b>	81615100372-81615100976-81615100312 81615100748 - 81615100798	15
<b>MXX/353</b>	81615100311 - 81615100797 - 81615100747 81615100323-81615100735-81615100979 81615100351 - 81615100643	15
<b>MXX/355</b>	81615100538	15
<b>MXX/356</b>	81615100536 - 81615100823 81615100468 - 81615100822	15
<b>MXX/362G</b>	81661400306-81664100184-81661400310	16
<b>MXX/363</b>	81664100309	16
<b>MXX/363G</b>	81661400307-81664100185-81661400311	16
<b>MXX/370</b>	81615100410	16
<b>MXX/370G</b>	81615100408 - 81615100376	16
<b>MXX/371</b>	81615100411	16
<b>MXX/371G</b>	81615100409 - 81615100377	16
<b>MXX/400</b>	81664106086	17
<b>MXX/400WS</b>		17
<b>MXX/402</b>	81664100294	17
<b>MXX/403</b>	81664100293	17
<b>MXX/415</b>	81664100226	17
<b>MXX/700</b>	81251016448	12
<b>MXX/701</b>	81251016449	12
<b>MXX/702</b>	81251016450	12
<b>MXX/703</b>	81251016451	12
<b>MXX/720</b>	81253206112	12
<b>MXX/720W</b>	81253206114	12
<b>MXX/721</b>	81253206111	12
<b>MXX/721W</b>	81253206113	12
<b>MXX/722</b>	81253206090	12
<b>MXX/723</b>	81253206089	12
<b>MTX/400</b>	81664106606	17
<b>MTX/400WS</b>		17
<b>MTX/401</b>	81664106599	17
<b>MTX/402</b>	81664106625	17
<b>MTX/415</b>	81664400192	17
<b>MTX/445</b>	81664106674	17
<b>MTX/475</b>	81664400187	17

MAN TGA M-L-XL		
QTC®	OEM	PAG
<b>MXX/101</b>	81416105451 - 81416105554 - 81416105664	18
<b>MXX/102</b>	81416105508 - 81416105598 81416105600 - 81416105590	18
<b>MXX/103</b>	81416105507 - 81416105597 81416105599 - 81416105589	18
<b>MML/100</b>	81416100307	19
<b>MML/115</b>	81416100229	19
<b>MML/116</b>	81416100230	19
<b>MML/180</b>	81416100308	19
<b>MML/181</b>	81416100225	19
<b>MML/182</b>	81416100226	19
<b>MML/186</b>	81416102900	19
<b>MML/300</b>	81615100472-81615100278-81615100760	21
<b>MML/301</b>	81615100473-81615100279-81615100759	21
<b>MML/302</b>	81626100020	21 - 22
<b>MML/303</b>	81626100021	21 - 22
<b>MML/304</b>	81615100762 - 81615100598	21
<b>MML/305</b>	81615100761 - 81615100597	21
<b>MML/306</b>	81626100032	21 - 22
<b>MML/307</b>	81626100033	21 - 22
<b>MML/322</b>	81615100420-81615100484-81615100488 81615100588-81615100592-81615100638 81615100856-81615100858-81615100938 81615100419-81615100485-81615100489	22
<b>MML/323</b>	81615100589-81615100593-81615100637 81615100855-81615100857-81615100937 81615100418-81615100482-81615100486	22
<b>MML/324</b>	81615100586-81615100590-81615100640 81615100854-81615100860	22
<b>MML/325</b>	81615100417-81615100483-81615100487 81615100587-81615100591-81615100639 81615100853-81615100859	22
<b>MML/350</b>	81615100382 - 81615100740	20
<b>MML/351</b>	81615100355 - 81615100739	20
<b>MML/352</b>	81615100380-81615100644 - 81516100736	20
<b>MML/353</b>	81615100351-81615100643 - 81516100735	20
<b>MML/355</b>	81615100538 - 81615100822	20
<b>MML/356</b>	81615100823	20
<b>MXX/309</b>	81615110001	21 - 22
<b>MXX/310</b>	81615105187	20



**MAN F2000**

QTC®	OEM	PAG
F20/100	81416104114	23
F20/102	81416130073	24
F20/104	81416130071	24
F20/105	81416155061	24
F20/110	81960020425	23
F20/111	81416100150	23
F20/112	81416100191	23
F20/113	81416100159	23
F20/114	81416100158	23
F20/115	81416100151	23
F20/116	81416100152	23
F20/122	81416130066	24
F20/123	81416130069	24
F20/130	81416135035	24
F20/132	81416100166	23
F20/133	81416100167	23
F20/135	81416100164	23
F20/142	81416130078	24
F20/143	81416130079	24
F20/146	81416130080	24
F20/147	81416130081	24
F20/200	81611505060	27
F20/201	81611100043	27
F20/205	81748210095	27
F20/260	81624102224	27
F20/261	81624102225	27
F20/262	81624100064	27
F20/263	81624100063	27
F20/300	81612300066	25
F20/301	81612300067	25
F20/304	81612105363	25
F20/305	81612105364	25
F20/310	81615100267	25
F20/311	81615100268	25
F20/312	81615100262	25
F20/313	81615100263	25
F20/315	81615105181	25
F20/316	81615105196	25
F20/317	81615105197	25

**MAN F2000**

QTC®	OEM	PAG
F20/350	81615100225	25
F20/351	81615100226	25
F20/354	81615100229	25
F20/355	81615100230	25
F20/357	81615105163	25
F20/358	81615105164	25
F20/363	81615105161	25
F20/364	81615105162	25
F20/368	81626406058	26
F20/369	81626406057	26
F20/371	81971006098	26
F20/373	81626410099	26
F20/374	81626410100	26
F20/376	81626410101	26
F20/377	81669120033	25
F20/378	81669120034	25
F20/380	81626004082	26
F20/381	81626004077	26
F20/382	81626806096	26
F20/383	81626806095	26
F20/384	81626800055	26
F20/385	81626806107	26
F20/386	81626806108	26
F20/388	81626306020	26
F20/389	81626306021	26
F20/395	81626416052	26
F20/398	81626300048	26
F20/399	81626300047	26
F20/401	81664100352	25
F20/402	81664100353	25
F20/500	81961210056	27
F20/CH2	81417015344	27
F20/CH3	81417015345	27
F20/CH5	81417226013	27
F20/CH6	81417226012	27

**MAN TGL**

QTC®	OEM	PAG
MTL/100	81416100309 81416100352	28
MTL/300	81615100274 81615100820 81615100942	28
MTL/301	81615100275 81615100821 81615100941	28
MML/186	81416102900	28
MXX/310	81615105187	28

**MAN LE2000**

QTC®	OEM	PAG
LE2/180	85416104032 85416104036	29
L20/300	85612100004	29
L20/301	85612100003	29

**QTC**® QUALITY  
TRUCK  
COMPONENTS

*...you'll never drive alone*

“I marchi utilizzati in questo catalogo sono proprietà dei fabbricanti dei veicoli industriali e commerciali a cui si riferiscono. Il loro utilizzo su questo catalogo serve unicamente per aiutare ad identificare il modello sul quale deve essere montato il pezzo di ricambio. I nostri articoli, pur non essendo originali, sono perfettamente intercambiabili ai veicoli a cui si riferiscono.”

“The property of the brand names used into this catalogue is exclusively of the makers. Original numbers used are for indication purpose only. Although our products are not original, they are perfectly interchangeable with them. “

“Les marques utilisées dans ce catalogue sont propriété des fabricants de véhicules industriels et commerciaux auxquels ils se réfèrent. Leur utilisation ne serve qu'à identifier le modèle sur lequel doit être montée la pièce de rechange. Nos articles, ne sont pas originaux, mais ils sont adaptables aux véhicules auxquels ils se rapportent “

“Die im vorliegenden Katalog verwendeten Marken sind Eigentum der Hersteller der Industrie- und Nutzfahrzeuge, auf die sie sich beziehen. Ihre Verwendung im vorliegenden Katalog dient ausschliesslich zur Identifizierung des Modells, in dem das Ersatzteil eingebaut werden soll. Unsere Artikel sind zwar keine Originalteile, aber dennoch perfekt austauschbar bei den Fahrzeuge, auf die sie sich beziehen “

“Znaki towarowe użyte w tym katalogu są własnością producentów pojazdów przemysłowych i użytkowych, do których się odnoszą. Numery OE w tym katalogu służą jedynie do właściwej identyfikacji części, oraz modelu w którym ta część zamienna może być zamontowana. Nasze artykuły, choć nie oryginalne, są doskonałe zamiennie z częściami oryginalnymi, do których się odnoszą “

“Τα εμπορικά σήματα που χρησιμοποιούνται σε αυτόν τον κατάλογο είναι ιδιοκτησία των κατασκευαστών των βιομηχανικών και εμπορικών οχημάτων στα οποία αναφέρονται. Η χρήση τους σε αυτόν τον κατάλογο χρησιμεύει μόνο για να βοηθήσει στον προσδιορισμό του μοντέλου στο οποίο πρέπει να τοποθετηθεί το ανταλλακτικό. Τα άρθρα μας, αν και δεν είναι πρωτότυπα, είναι απολύτως ανταλλάξιμα με τα οχήματα στα οποία αναφέρονται. “

“A propriedades das marcas usadas neste catálogo é dos fabricantes dos veículos. Codigos originais são usados apenas para indicação aos nossos clientes. Nossos produtos não são originais, mas perfeitamente intercambiáveis “

“Las marcas especificadas en este catalogo son propiedad de los fabricantes de vehículos industriales y comerciales referidos. El propósito de este catalogo es único y exclusivamente, para identificar el modelo en el cual se monta la pieza de ricambio suministrada por nosotros. Las referencias originales son utilizadas única y exclusivamente para su identificación por parte de nuestros clientes. Nuestros artículos no son originales pero perfectamente intercambiables“